

802.1ah in NetherLight: An application proposal



Sevickson.Kwidama \Rightarrow os3.nl

February 4, 2009



UNIVERSITY OF AMSTERDAM

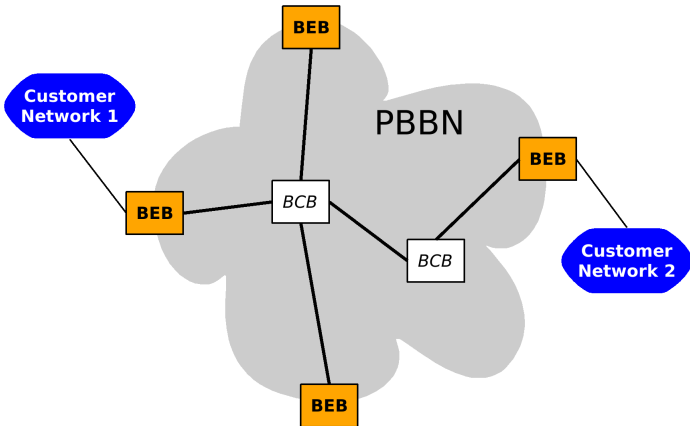
Provider Backbone Bridges (1)

Provider Backbone Bridges (PBB) implementation IEEE 802.1ah standard.

Forward customers frames over a service providers backbone network.

- Separate backbone network from customers (MAC-header)
- Increase number of VLANs (I-SID)

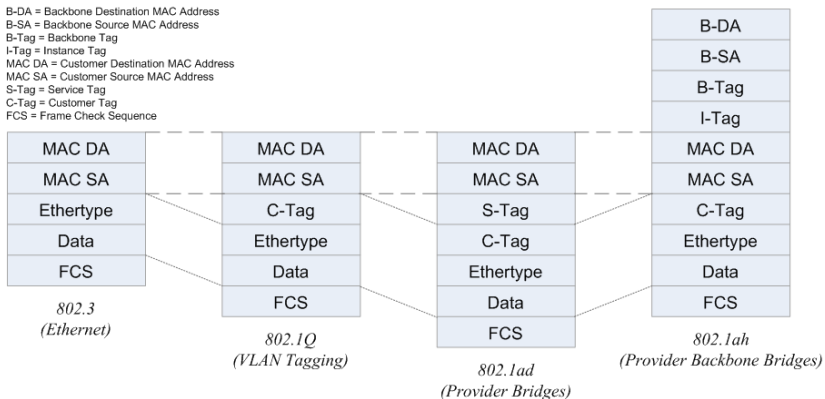
Provider Backbone Bridges (2)



PBBN = Provider Backbone Bridged Network
BEB = Backbone Edge Bridge
BCB = Backbone Core Bridge

PBB frame

B-DA = Backbone Destination MAC Address
 B-SA = Backbone Source MAC Address
 B-Tag = Backbone Tag
 I-Tag = Instance Tag
 MAC DA = Customer Destination MAC Address
 MAC SA = Customer Source MAC Address
 S-Tag = Service Tag
 C-Tag = Customer Tag
 FCS = Frame Check Sequence

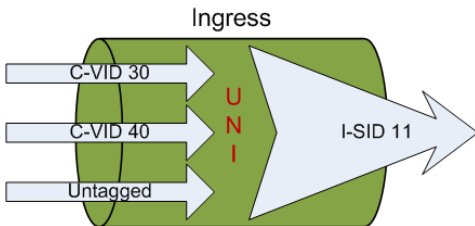


Research question 1

Connection Models question

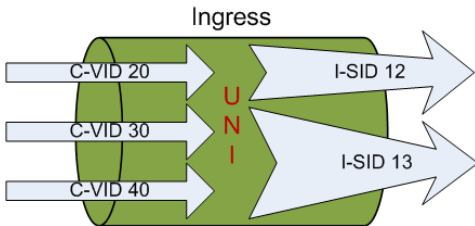
How can PBB be used to support several connection models in NetherLight?

Transparent



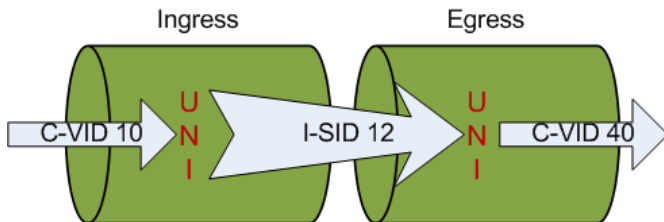
- One I-SID
- Port based

Switched



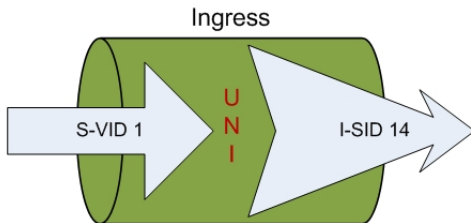
- C-VID → I-SID
- One-to-One / Many-to-One association

Retagging



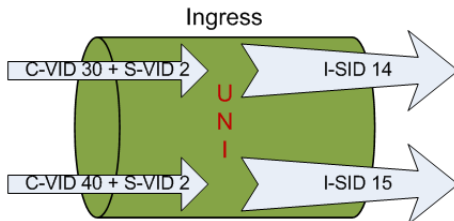
- Change C-VID at egress

Q-in-Q (1)



- S-VID \rightarrow I-SID
- One-to-One mapping

Q-in-Q (2)



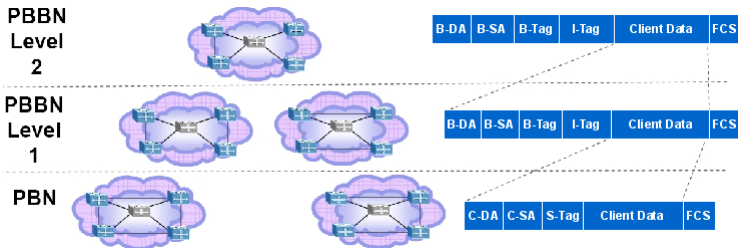
- S-VID and C-VID \rightarrow I-SID

Research question 2

Multi-Domain question

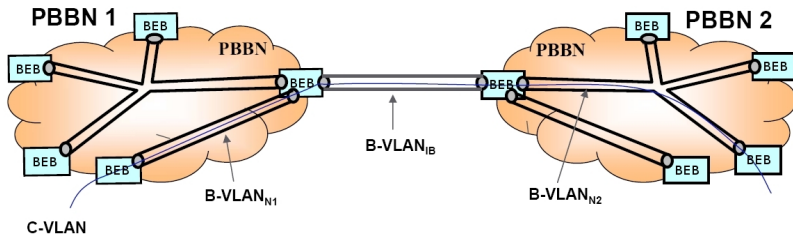
Can PBB be used in a multi-domain environment?

Hierarchical PBBN



- Leveled hierarchy
- Maximum nesting depth limitation

Peer PBBN



- Independent peers
- No nesting depth limitation

Future work

- Test setup of multi-domain environments
- Prolonged testing of PBB for later implementation

Conclusions

Connection models

Endpoint configuration, connection model based on situation

Multi-Domain

Peer PBBN is easiest model to configure and maintain between network exchange points

PBB

PBB is mature enough to be used in prolonged testing environments

Backup Slide (1)



802.1ah

(Provider Backbone Bridges)

Backup Slide (2)

